

# ED2 P/N FB010BW16SG

## 2 GHz to 18 GHz Bandpass Filter Bank

### Description

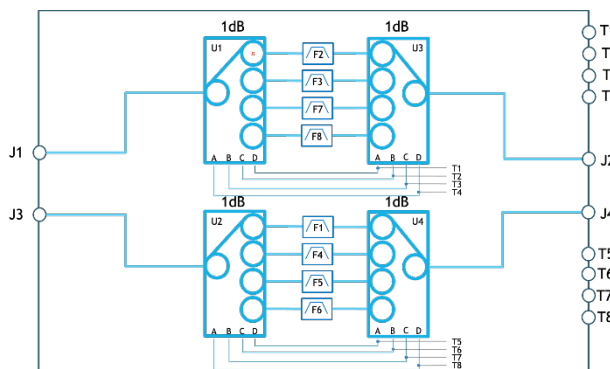
The ED2 FB010BW16SG is a broadband eight-way bandpass filter bank offering low-loss and high-rejection from 2 GHz to 18 GHz. Each bank delivers 2 GHz of bandwidth. With internal 50Ω matching and packaged in a 9 mm x 9 mm LGA package the ED2 FB010BW16SG represents a compact total PCB footprint, and is the best choice for low-SWaP applications.



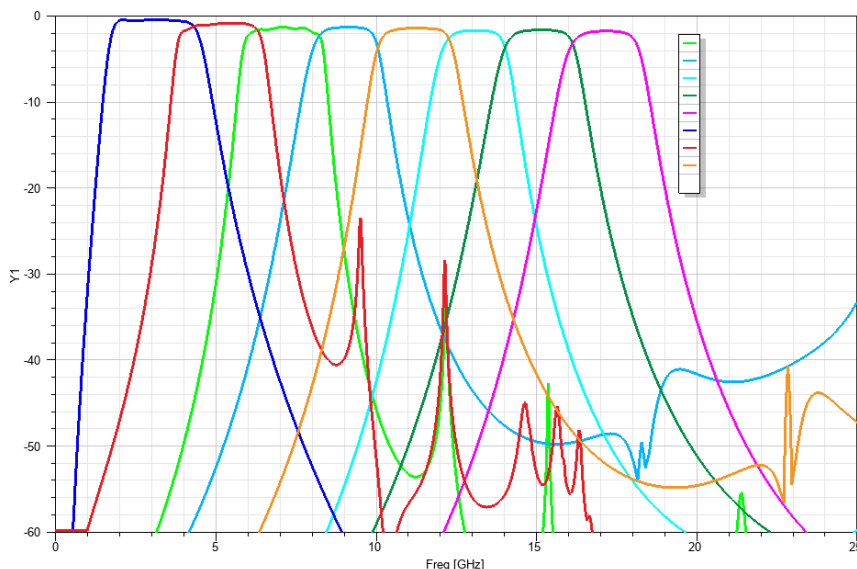
### Features

- Broadband, 2 to 18 GHz
- - 5.0V Supply, 15 mA
- -4 dB Insertion Loss (typ.)
- >12 dB Return Loss
- +23 dBm max C.W. input
- SMT Package
- -40C to +85C Operation

### Functional Diagram



### Characteristic Performance



# ED2 P/N FB010BW16SG

## 2 GHz to 18 GHz Bandpass Filter Bank

### Pinout

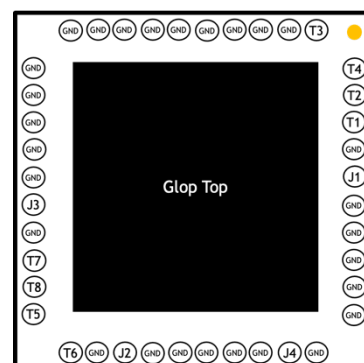
| T1 | T2 | T3 | T4 | T5 | T6 | T7 | T8 | J1 to J2 |
|----|----|----|----|----|----|----|----|----------|
| 0  | 0  | 0  | 1  | 1  | 0  | 0  | 0  | F1       |
| 1  | 0  | 0  | 0  | 0  | 0  | 0  | 1  | F2       |
| 0  | 1  | 0  | 0  | 0  | 0  | 0  | 1  | F3       |
| 0  | 0  | 0  | 1  | 0  | 1  | 0  | 0  | F4       |
| 1  | 0  | 0  | 0  | 0  | 0  | 1  | 0  | F5       |
| 1  | 0  | 0  | 0  | 0  | 0  | 0  | 1  | F6       |
| 0  | 0  | 1  | 0  | 1  | 0  | 0  | 0  | F7       |
| 0  | 0  | 0  | 1  | 1  | 0  | 0  | 0  | F8       |

Logic "0" +10 mA

Logic "1" -10 mA

### Footprint

|    | A   | B   | C   | D   | E   | F   | G   | H   | I   | J   | K   | L   |
|----|-----|-----|-----|-----|-----|-----|-----|-----|-----|-----|-----|-----|
| 1  |     | T3  | GND | GND | GND | GND | GND | GND | GND | GND | GND | n/c |
| 2  | T4  |     |     |     |     |     |     |     |     |     |     | GND |
| 3  | T2  |     |     |     |     |     |     |     |     |     |     | GND |
| 4  | T1  |     |     |     |     |     |     |     |     |     |     | GND |
| 5  | GND |     |     |     |     |     |     |     |     |     |     | GND |
| 6  | J1  |     |     |     |     |     |     |     |     |     |     | GND |
| 7  | GND |     |     |     |     |     |     |     |     |     |     | J3  |
| 8  | GND |     |     |     |     |     |     |     |     |     |     | GND |
| 9  | GND |     |     |     |     |     |     |     |     |     |     | T7  |
| 10 | GND |     |     |     |     |     |     |     |     |     |     | T8  |
| 11 | GND |     |     |     |     |     |     |     |     |     |     | T5  |
| 12 | n/c | GND | J4  | GND | GND | GND | GND | GND | J2  | GND | T6  | n/c |



9mm x 9mm Footprint  
700 um Pitch, 40 Balls (500um ball height)

### Physical Dimensions (mm)

